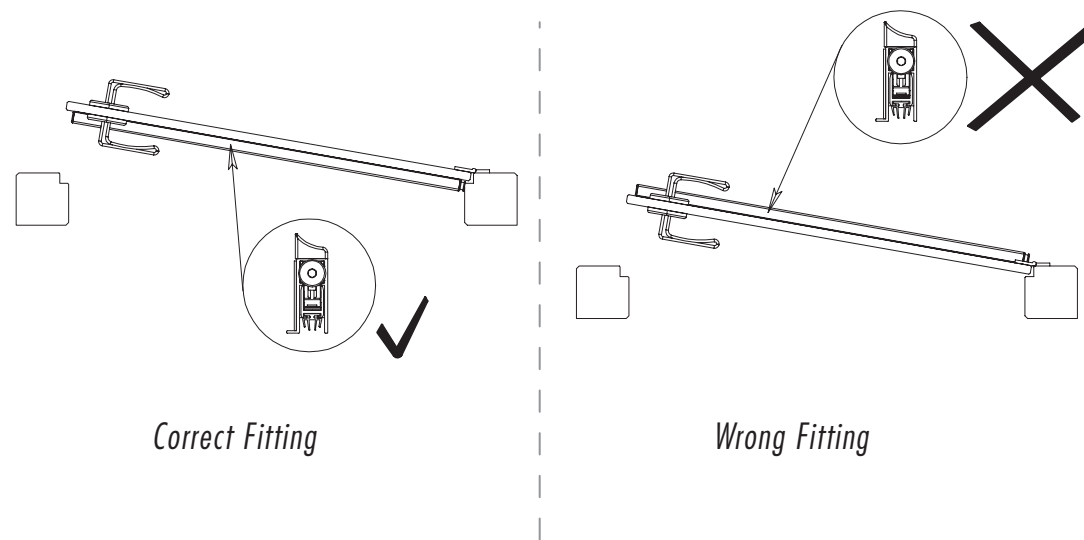
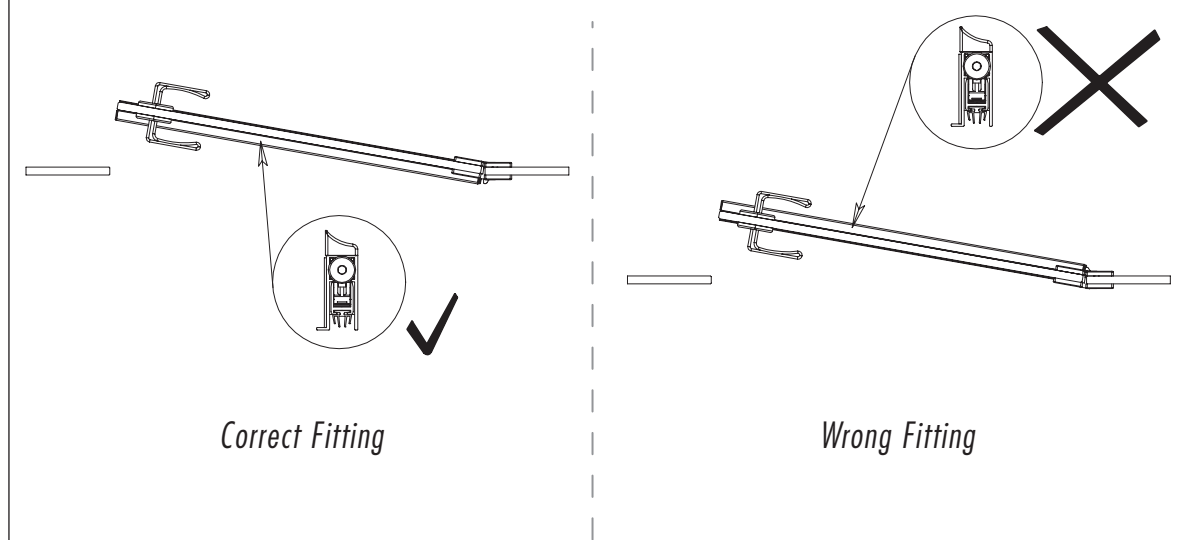


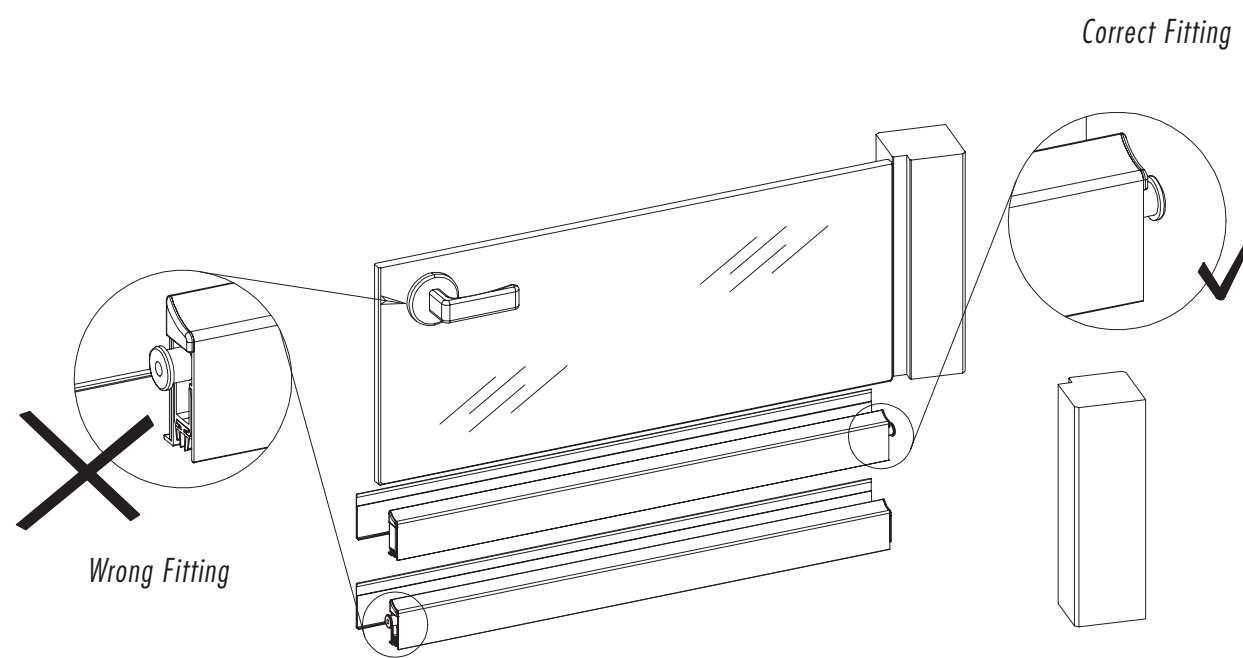
1 FITTING ON METAL FRAMED LEAF DOORS



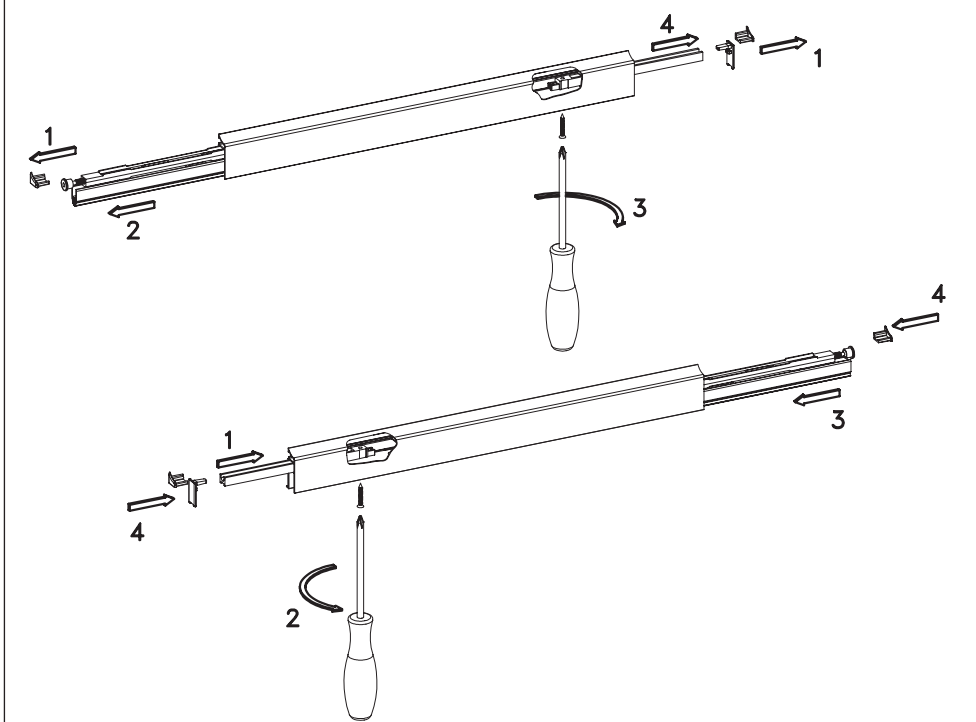
2 FITTING ON LEAF DOORS WITHOUT FRAME



3 CORRECT FITTING OF THE PLUNGER

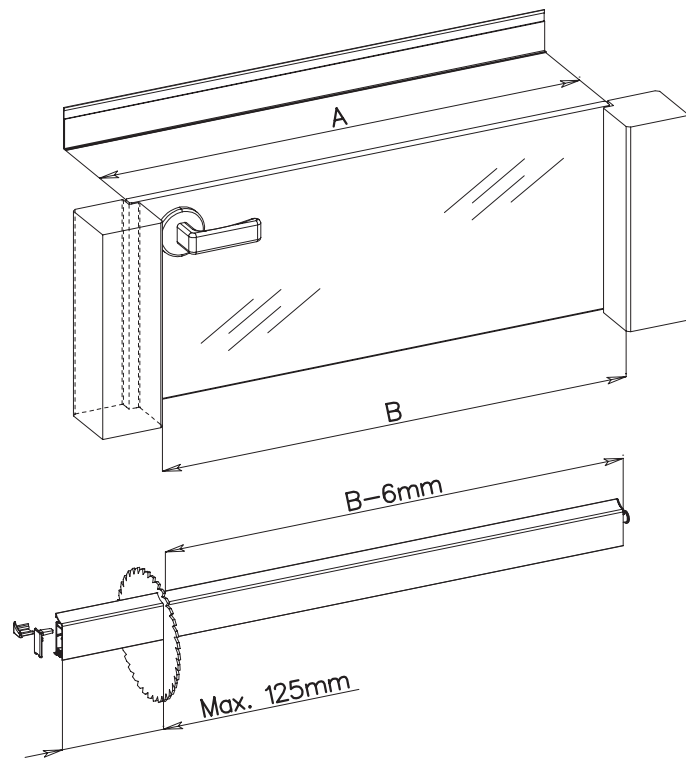


4 SEQUENCE TO REVERSE PLUNGER

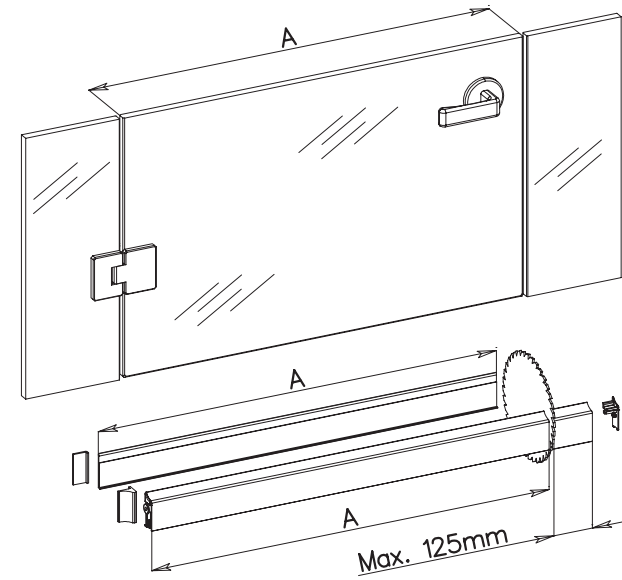


See part 4 for the sequence to reverse plunger.

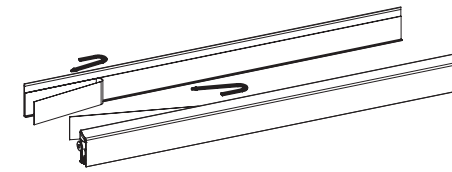
5 LENGTH ADJUSTMENT ON METAL FRAMED LEAF DOORS



6 LENGTH ADJUSTMENT ON FRAMELESS LEAF DOORS



7 DOOR BOTTOM FITTING

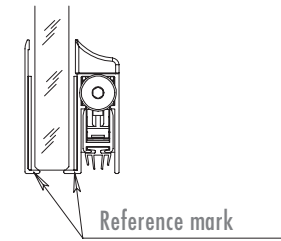


Detach the liner from adhesive tape

Clean the glass with care

Apply profiles, in line with the reference mark

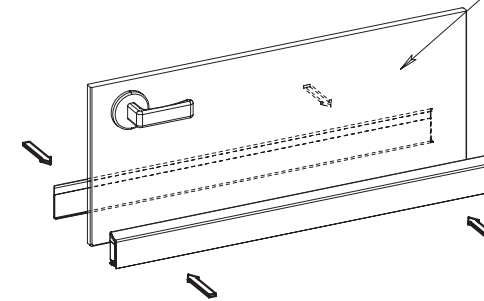
Apply the necessary pressure on the profiles to ensure perfect bonding



Reference mark



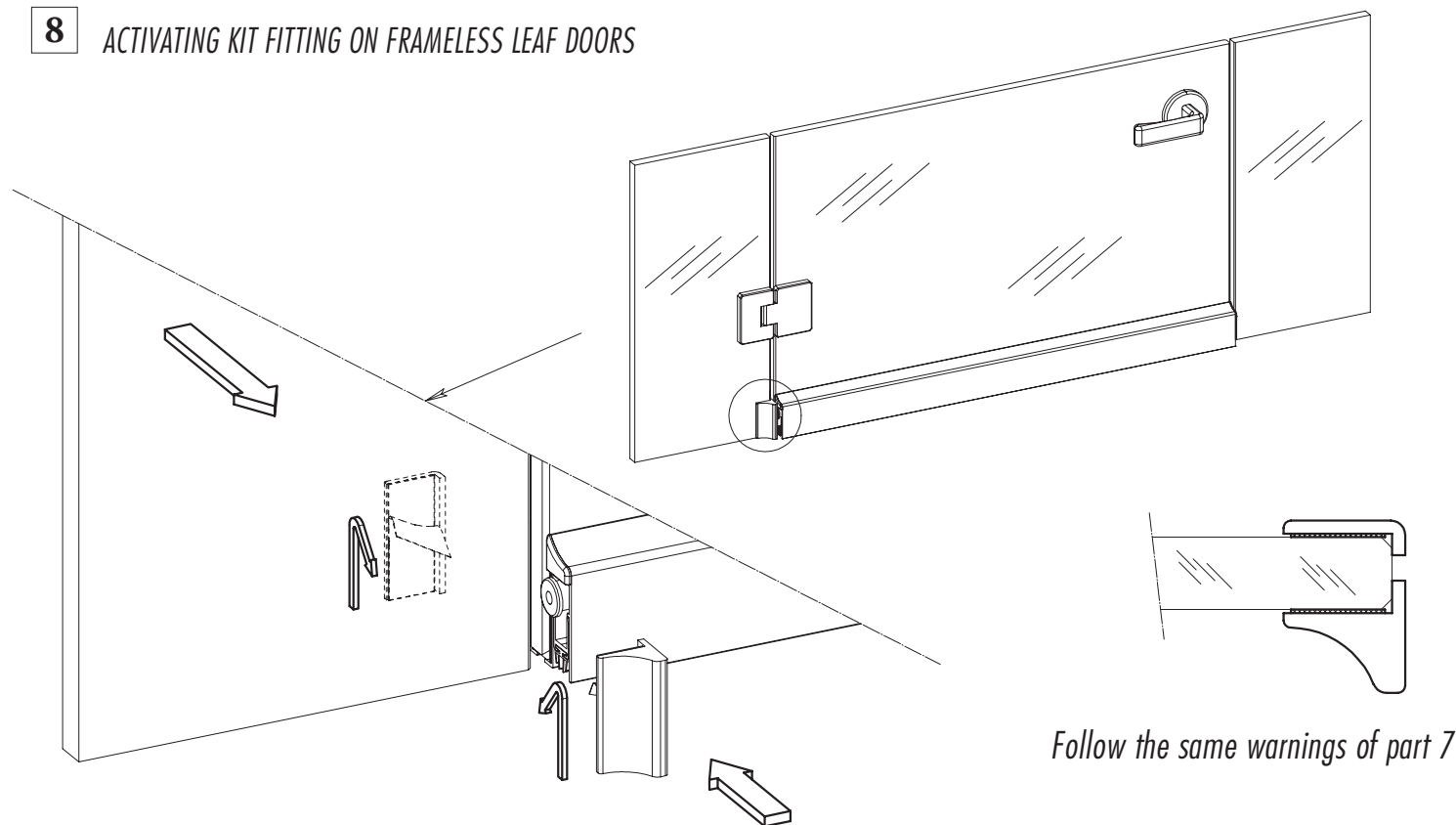
Do not use soap-based cleanser.



Use exclusively isopropyl alcohol cleaning wipes. Cod: GLASSCLEAN

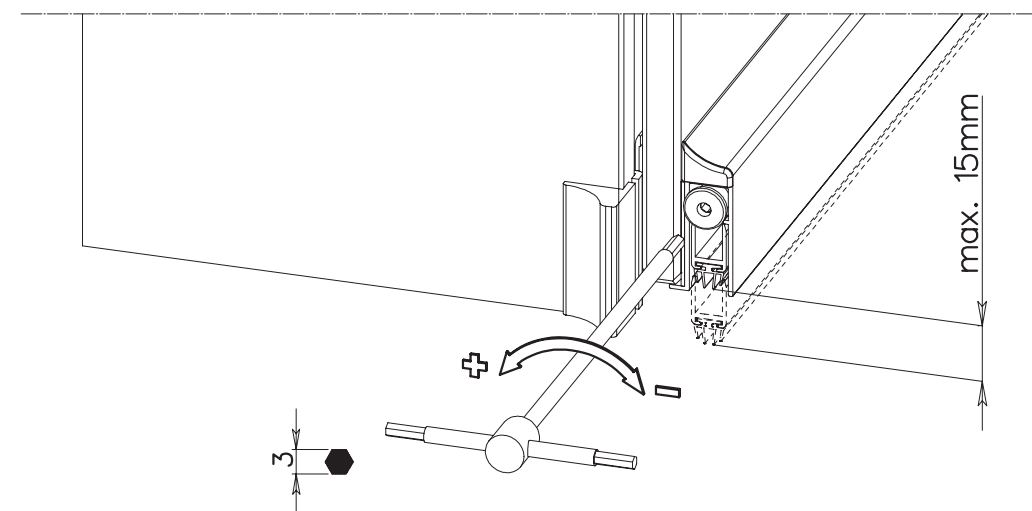
Wait 24 hrs after applying the product to the glass.

8 ACTIVATING KIT FITTING ON FRAMELESS LEAF DOORS



Follow the same warnings of part 7

9 ADJUSTING THE DOOR BOTTOM MAXIMUM DROP



Rotate the plunger to adjust the maximum drop / pressure of the seal

Screwing (clockwise) the drop decreases

Unscrewing (counterclockwise) the drop increases